

LA22N-40

Material
PP - Polypropylene



How it works Movement of the magnetic float opens/closes a hermetically sealed contact (reed switch).

- Details**
- Compact and low cost;
 - On/Off SPST output;
 - Operation can be normally open or normally closed, by rotating the switch 180°.

- Typical applications**
- Tank liquid level control;
 - Pumps automation.



Chemical products require preliminary tests to confirm compatibility.

Liquid with ferrous particles should be avoided.

Not suitable for fuel.

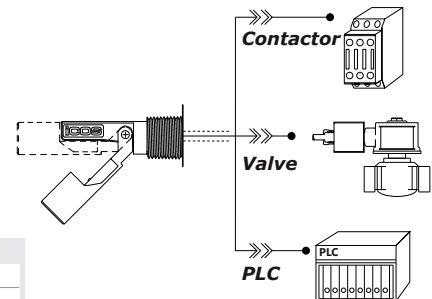
Technical specifications

Maximum operating pressure **2bar**
 Operating temperature range **-10°C to 100°C**
 Liquid minimum density (SG) **0.68**
 Sealing **Sealant tape**
 Output connection **Wire 2 x 0.5mm² x 40cm**
 Enclosure rating **IP66**
 Electrical contact **Reed Switch 20W/VA**

The sensors work in all voltage and current ranges displayed in the table below:

Operating Voltage	Max. Switching Power	Max. Switching Current	Peak Current
110Vac	20VA	0.2A	0.5A @20ms
220Vac	20VA	0.1A	0.5A @20ms
5Vdc	2.5W	0.5A	1A @20ms
12Vdc	5W	0.5A	1A @20ms
24Vdc	10W	0.5A	1A @20ms

24Vac: NOT recommended

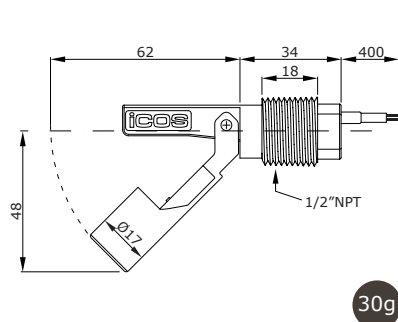


Important!

- For cables longer than 20 meters.
- Relay coupler, timing relay, frequency inverter.

A series **resistor** must be installed.
[Click and check how to install.](#)

Dimensions (mm) and Weight

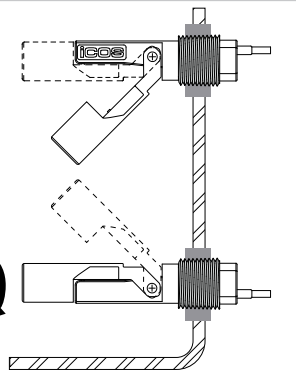


Mounting

NO
Working as
Normally Open

NC
Working as
Normally Closed

180°



Typical connection to contactor

