

## FJ112B02



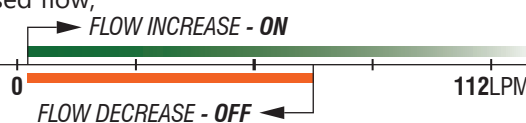
### Material

PPA - Polyphthalamide



**How it works** A fluid flow through the sensor causes precise displacement of magnetic piston and closes an electrical contact (reed switch).

- Details**
- On/Off output; NO (SPST) working;
  - Detects increased or decreased flow;
  - Sensitivity adjustment<sup>1</sup>.



- Typical applications**
- Lubrication and cooling systems monitoring;
  - Pipe fluid flow monitoring.

- Liquids**
- Clean water, oils, lubricants and filtered fuels<sup>2</sup>.



**Liquids with magnetic particles** will cause deposition / magnetic sedimentation and it will prejudice the operation of the sensor. Use magnetic filter before the sensor.  
**Liquids with encrustation particles and/or solids** require tests.

### Technical specifications

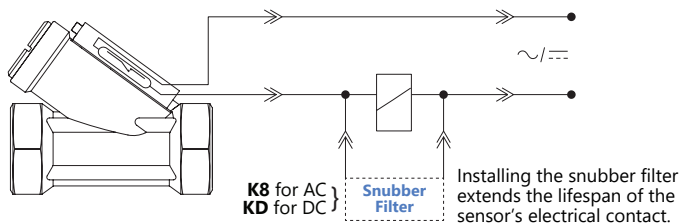
Internal clearance	680mm <sup>2</sup>
Maximum operating pressure	25bar
Operating temperature range	0°C to 100°C   140°C @1h
Inlet/outlet port	G 1½" female (BSP - Parallel)
Spring	AISI 302 stainless steel
Sealing	NBR (nitrilic rubber) O'Ring <sup>3</sup>
Output connection	DIN 43650 Connector - B
Enclosure rating	IP66
Electrical contact	Reed Switch 20W/VA

The sensors work in all voltage and current ranges displayed in the table below:

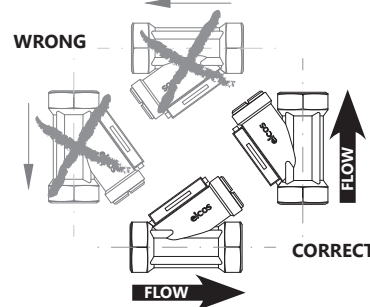
Operating Voltage	Max. Switching Power	Max. Switching Current	Peak Current
110Vac	20VA	0.2A	0.5A @20ms
220Vac	20VA	0.1A	0.5A @20ms
5Vdc	2.5W	0.5A	1A @20ms
12Vdc	5W	0.5A	1A @20ms
24Vdc	10W	0.5A	1A @20ms

24Vac: NOT recommended

### • Typical connection to contactor

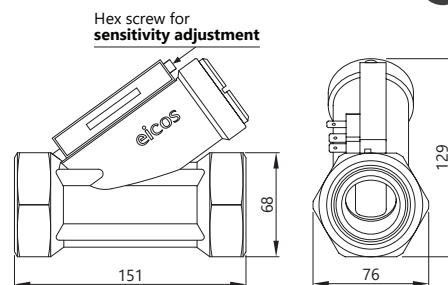


### Mounting (Important!)



### Dimensions (mm) and Weight

760g



### Notes

- <sup>1</sup> In water. Set point accuracy: ±15%. Repeatability (not considering the viscosity change of liquids): ±10%.
- <sup>2</sup> For application in oil, recommended model **FJ112B04**.
- <sup>3</sup> Not included with the product.

flow sensor | flow switch | flow control | fluid flow controller | fluid flow indicator | flow detector | m12 connector

**Click and Check:**  
[Models and Prices](#) | [Datasheets](#) | [Operation Videos](#)

Flow Switches and Level Switches for liquids