

M12 Female Connector with 4 Contacts and 2m/5m Cable



Details • Connection to M12 plugs with PUR cable of 02 or 05 meters.

Typical applications • ICOS Sensors¹ and M12 male plugs of 4 contacts.

M12 Connector 2 meters Cable

Cable material	PUR (Polyurethane)
Connectors	04 contacts (female)
Cable length	2 meters
Voltage	250V
Operating temperature range	-25°C to 80°C
Enclosure rating	IP68
Weight	70g

M12 Connector 5 meters Cable

Cable material	PUR (Polyurethane)
Connectors	04 contacts (female)
Cable length	5 meters
Voltage	250V
Operating temperature range	-25°C to 80°C
Enclosure rating	IP68
Weight	160g

Mounting



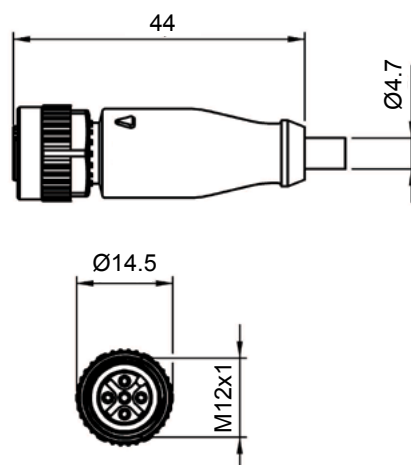
M12 Connector

Level Switch
LA36-M12



» For output connection with M12 plug (2 to 4 pins)

Dimensions (mm)



Important! Installing the Sensor in:

- For cables longer than 10 meters.
- PLC, timing relay, frequency inverter.

A series **resistor** must be installed.

[Click and see how to install.](#)

Notes

- ¹ **M12 Connector is applicable to:**
- ICOS Level Switches with M12 Plug.